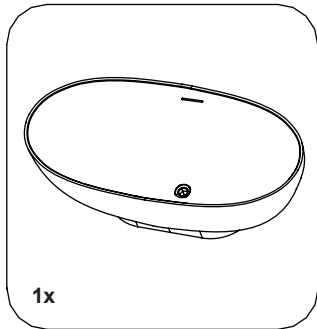


### Parts Supplied:



### Important

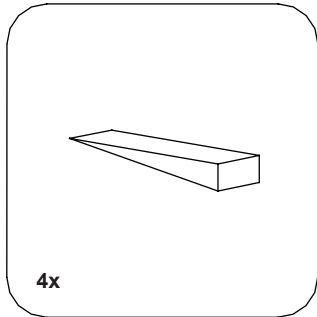
- Please unwrap the bath and check it carefully to ensure it has not been damaged in handling or transport.
  - Please check that all parts have been supplied.
  - Store the bath in a safe place until you begin installation to avoid damage.
  - Assemble bath on a mat to protect against damage to bath surface.
  - No claims for damages or blemishes will be accepted once the bath has been installed.
  - We recommend that you do not remove your old bath until you have unpacked and inspected the new one.
- Please contact your local store if you have any concerns.

- Any installation should be carried out by a qualified tradesman with knowledge of statutory plumbing requirements in your area.
- This product requires a two person lift – use proper lifting techniques.

• Over tightening the waste can cause damage to the bath around the internal overflow. A watertight seal can be achieved without causing this stress.

- The entire base of the bath must be fully supported by the floor to prevent the bath becoming damaged through stress. To achieve this please ensure that the floor is completely flat.
- Please do not drag the Landmark on the floor as there are two fitted feet underneath the bath. Make sure the floor is level before installing. The height of the foot can be adjusted if necessary.

### Parts Required:



### Care and Maintenance

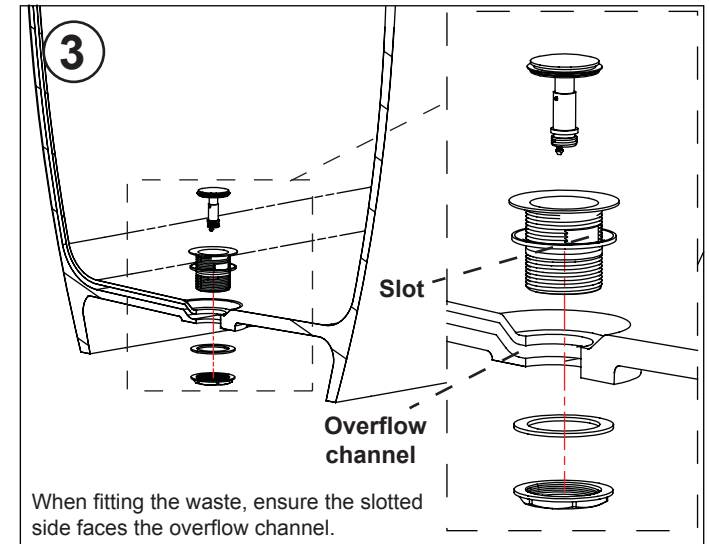
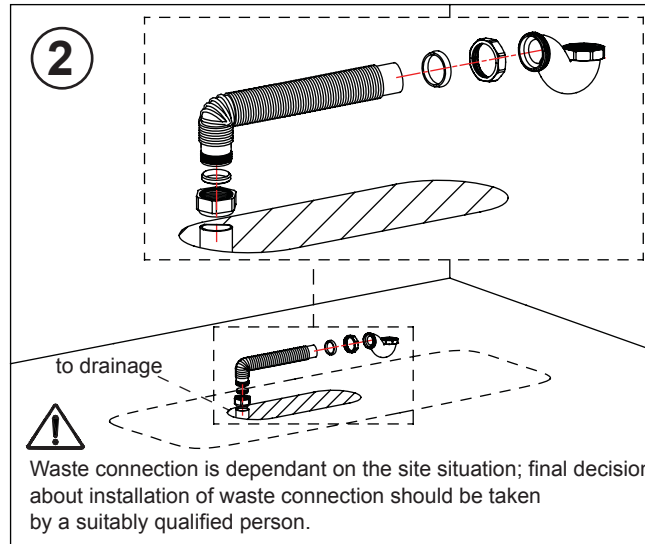
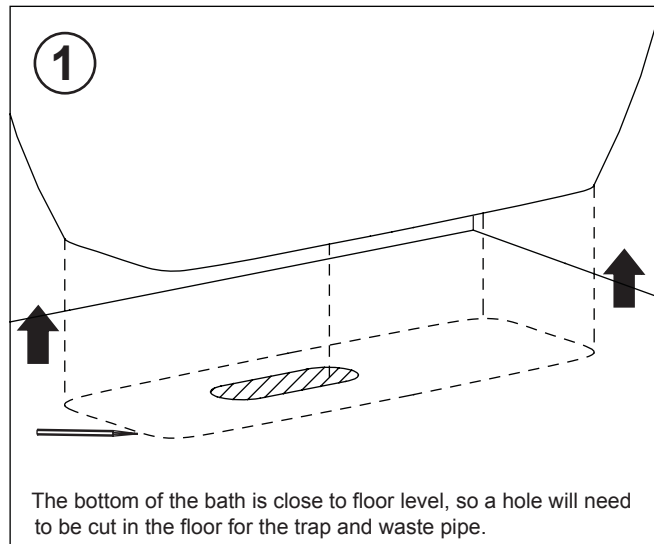
Repairing a scratch: If any scratches occur during installation these can be removed by rubbing with a 1500+ grit waterproof abrasive paper and water. Re-polish the surface afterwards using a neutral automotive colour restorer or household metal polish. For best results limit sanding to the smallest possible area around the scratch. It may be possible to polish very fine scratches away without using abrasive papers: scrubbing gently with a soft brush or plastic pad (not metal scouring pad) and a mildly abrasive cream cleaner. Afterwards scrub the whole area with plenty of clean water and re-polish as before.

### Everyday cleaning

We recommend a non-abrasive bathroom cleaner.

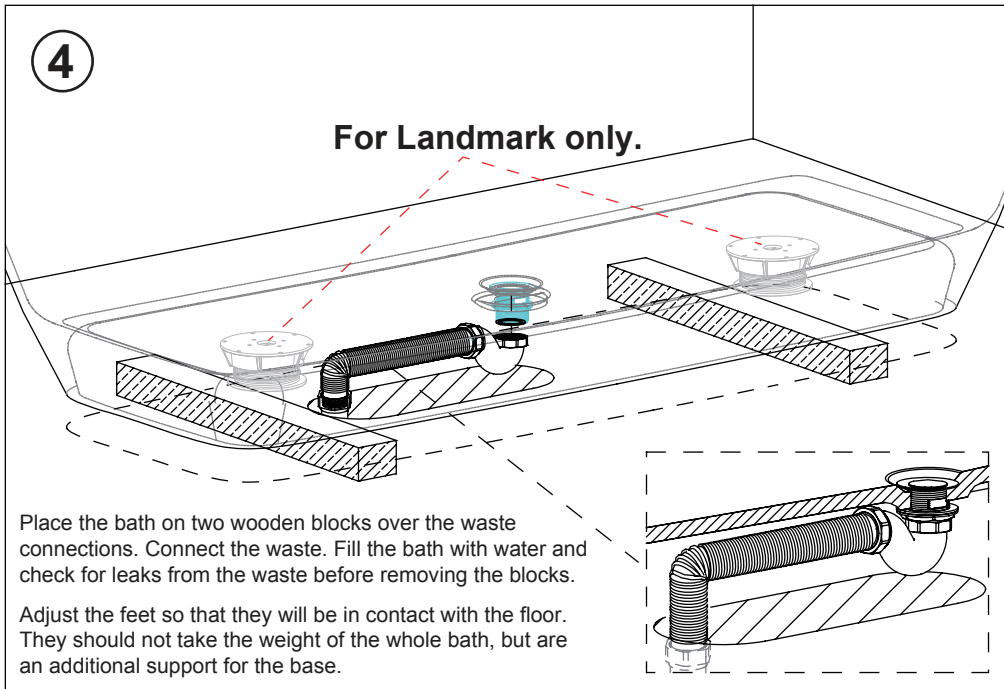
### Warning

Never use cleaners / bleach products specifically manufactured for WC bowl cleaning as they may damage your bath. Hair dye can stain the surface of the bath. We recommend that dye is not applied in, or over, the bath. Nail varnish can rub off on to the surface and is difficult to remove.



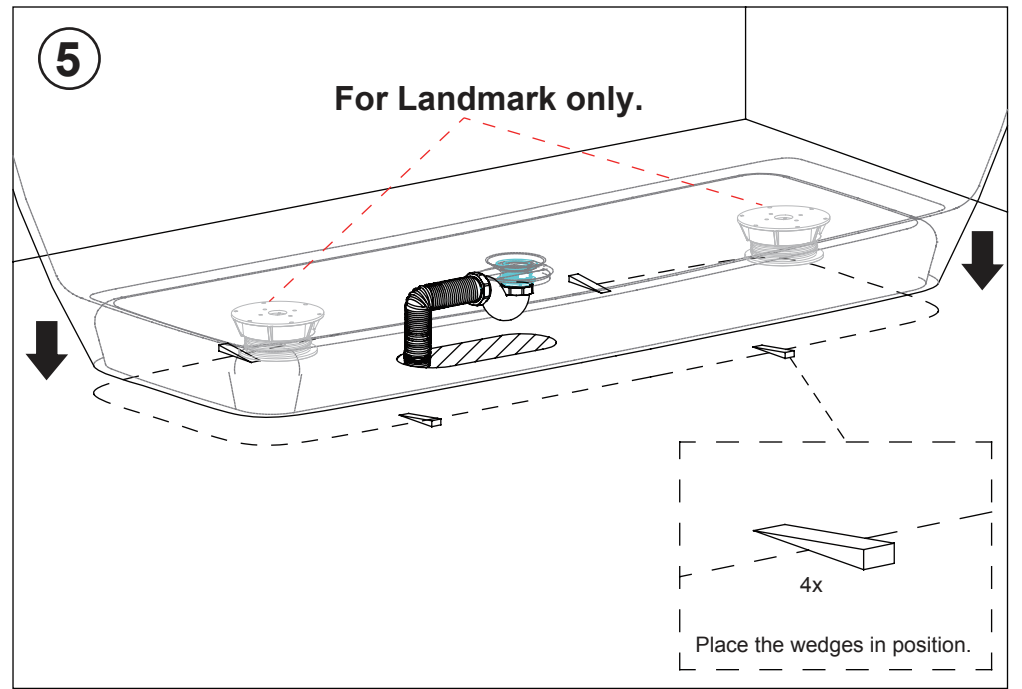
4

For Landmark only.

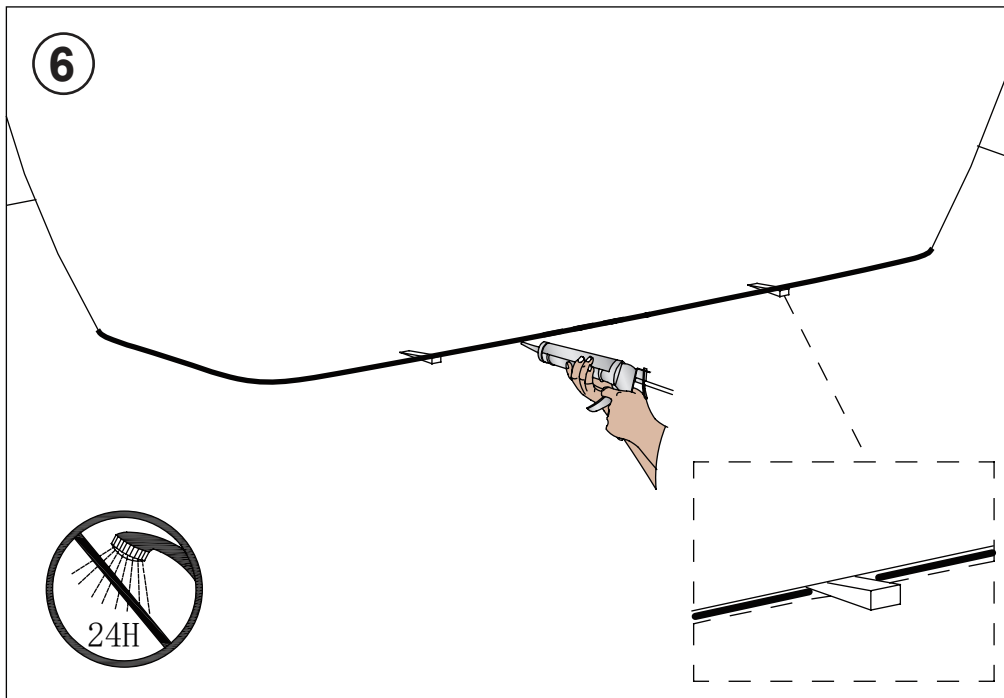


5

For Landmark only.



6



7

