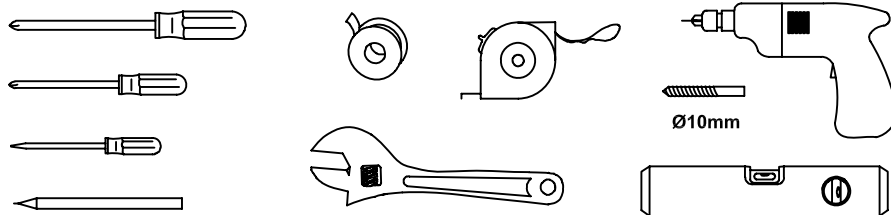
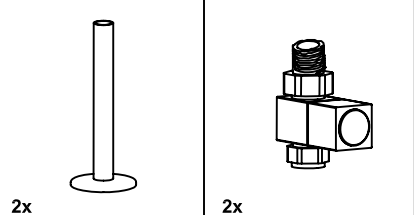
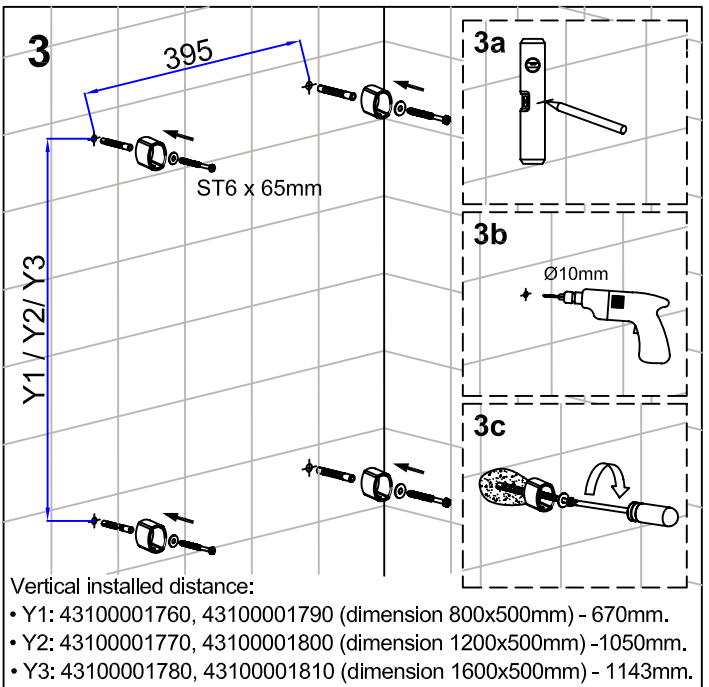
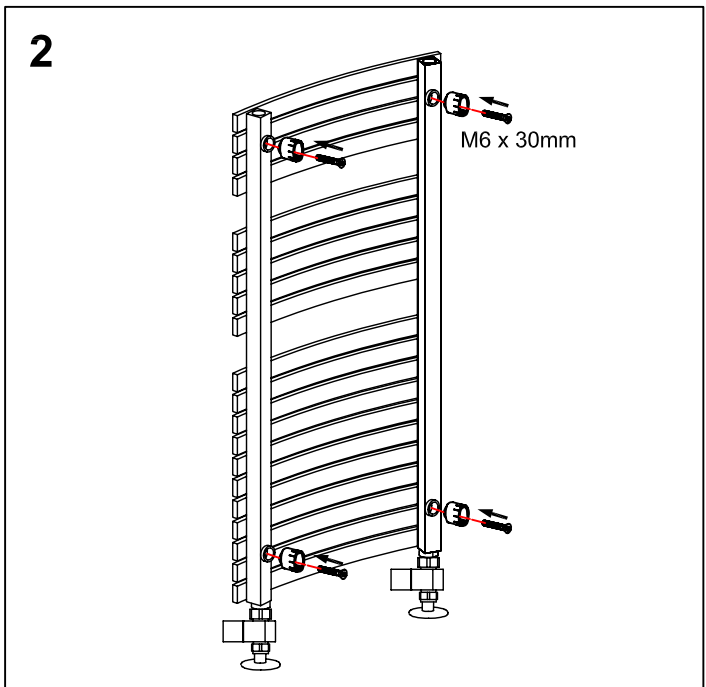
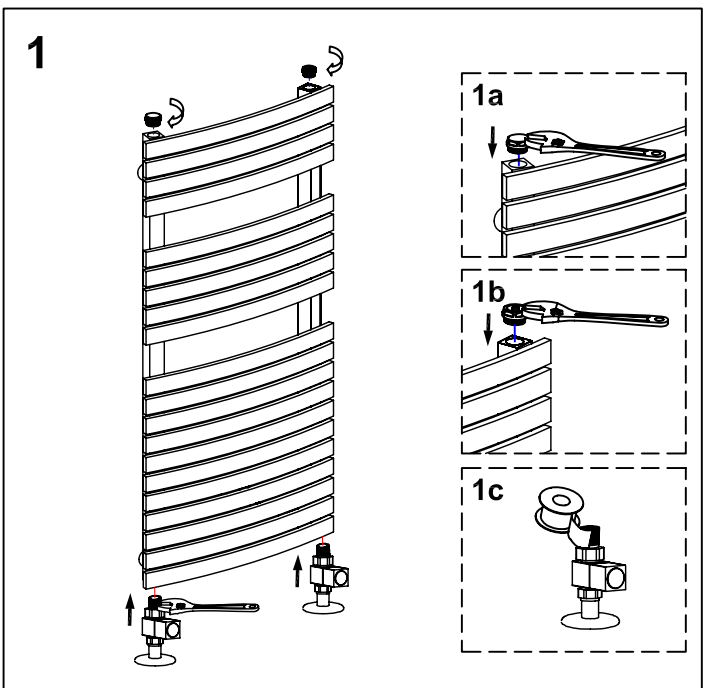
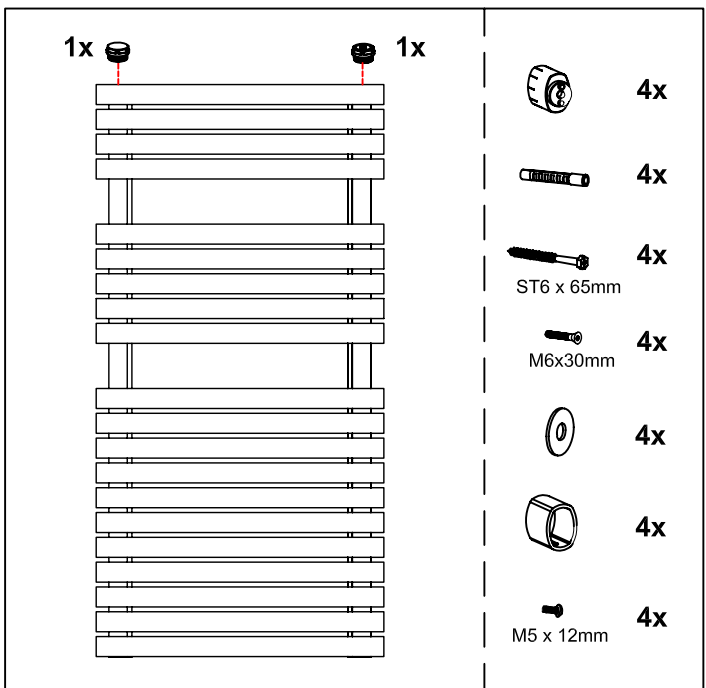
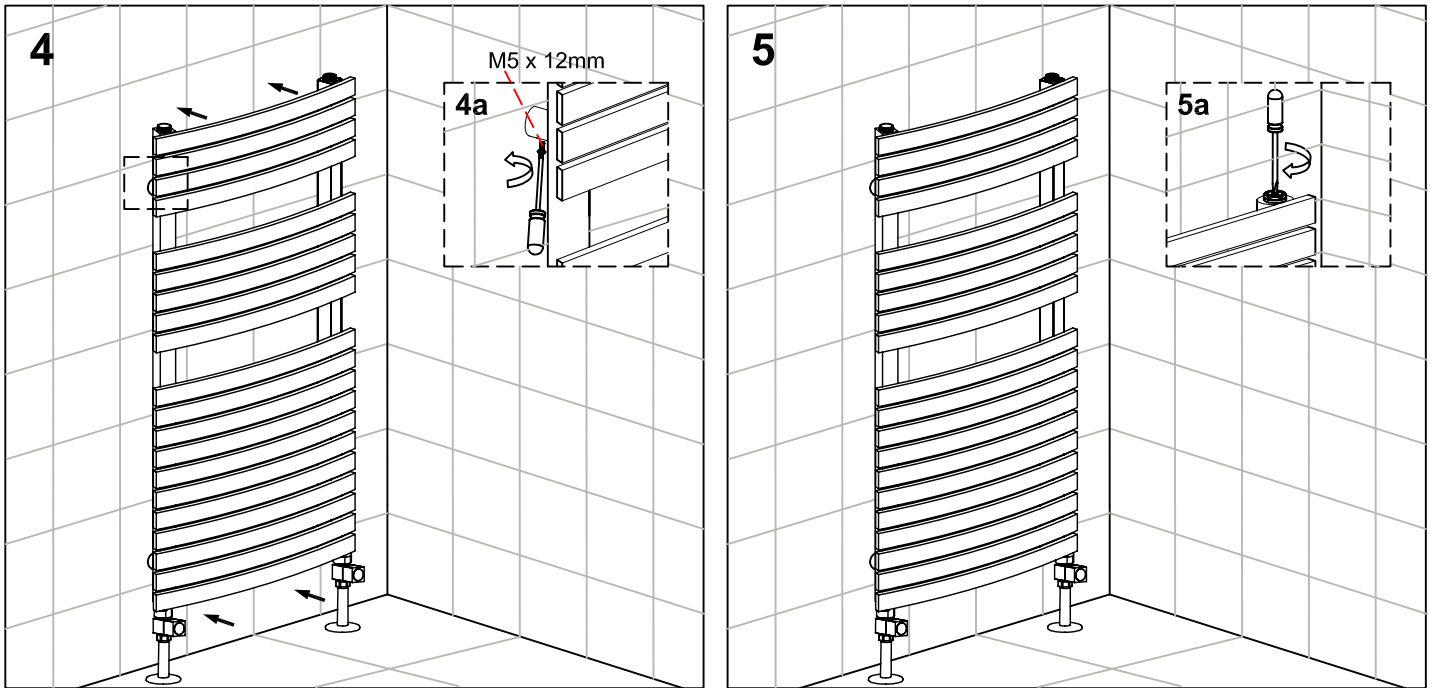


TOOLS REQUIRED:	PARTS REQUIRED:
	

## Scuro Steel Tower Rail Installation Instruction

- review instructions carefully before installation
- installation should be completed by a suitably qualified person
- please dispose of packaging in a responsible manner





### After installation ...

- When connecting to central heating system:  
Use a screwdriver to open the air vent, open the inlet valve and let the water rush into the radiator. check all connections for leaks.  
Once water overflows from the air vent, there is no air in the tube. use a screwdriver to close the air vent, turn on the outlet valves and the radiator is ready for use.

### Maintenance...

- The outside of the towel warmer can be cleaned using warm soapy water. Do not use scouring powders or acid based products as these could damage the finish.
- It is recommend that the unit should be drained if it not in use and ambient temperatures are below 0°C(32°F) to prevent damage from the water freezing. Before reusing, flush system with a rust inhibitor to remove any oxidization.
- If the water temperature in the system exceeds 50°C (122°F), please install a warning mark near the radiator to avoid being scalded.
- If the product is not used for a prolonged period (for example spring,summer), ensure the radiator is kept filled with water containing a rust inhibitor to prevent oxidization on the inside of the unit
- This product should only be used with a maximum pressure of PN<=1MPa (10Kg/CM<sup>2</sup>,10Bar).
- Only for use with water. Maximum temperature t° ≤ 100C (212°F)