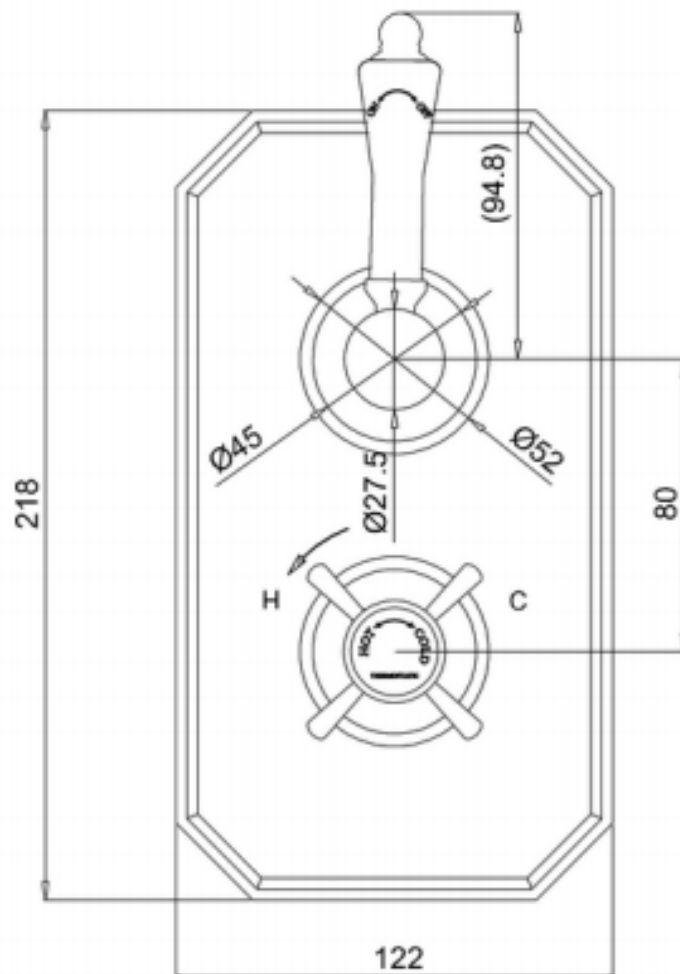




bathstore

20007014500 - BENSAM 1000 VALVE BACK PLATE & HANDLES ONLY CHR- BSBH1000BPHC



Note:

For the each part, the dimension tolerance should be followed the list below.

0 - 100	101 - 200	201 - 400	≥ 401
±1	±2	±3	±5

For the finished assembly, the dimension tolerance should be followed the list below.

0 - 300	≥ 301
±2	±5