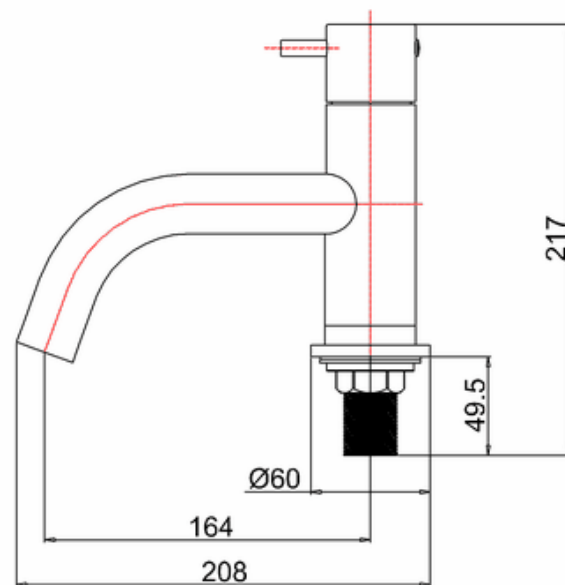
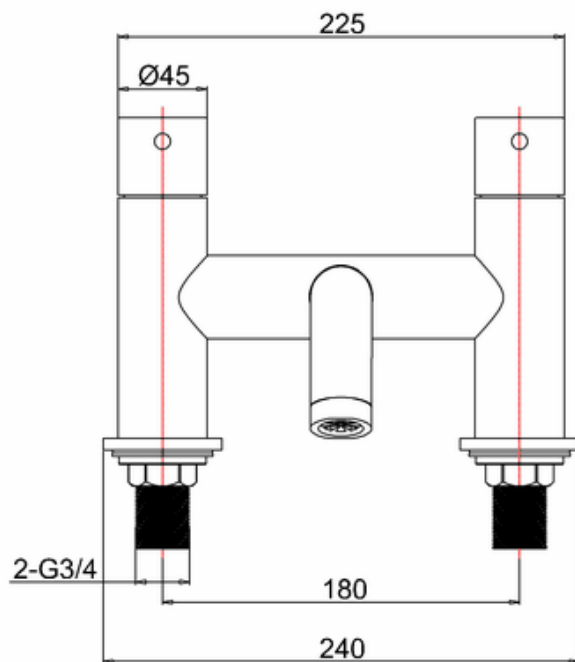


20004010050 - Bath Filler deck mounted



Note:

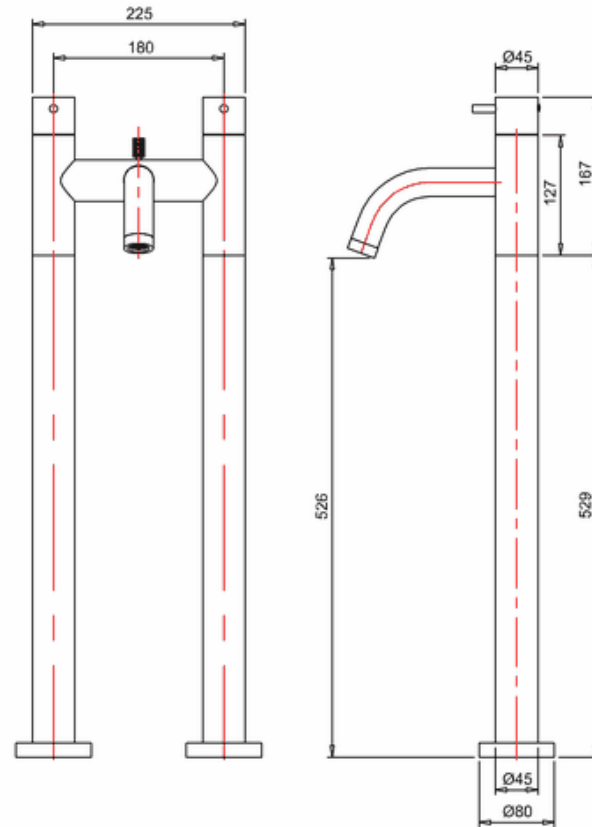
For the each part, the dimension tolerance should be followed the list below.

0 ~ 100	101 ~ 200	201 ~ 400	≥ 401
± 1	± 2	± 3	± 5

For the finished assembly, the dimension tolerance should be followed the list below.

0 ~ 300	≥ 301
± 2	± 5

20004010079 - METRO FLOOR STAND BATH SHOWER MIXER FILLER LEGS ONLY CHR - AA005FC



Note:

For each part, the dimension tolerance should be followed the list below.

0 - 100	101 - 200	201 - 400	≥ 401
±1	±2	±3	±5

For the finished assembly, the dimension tolerance should be followed the list below.

0 - 300	≥ 301
±2	±5