

This product should only be fitted by a qualified plumber to NVQ (National Vocational Qualification) or SNVQ (Scottish National Vocational Qualification) Level 3. Should the installation be completed by a non-qualified person then the guarantee may be considered invalid.

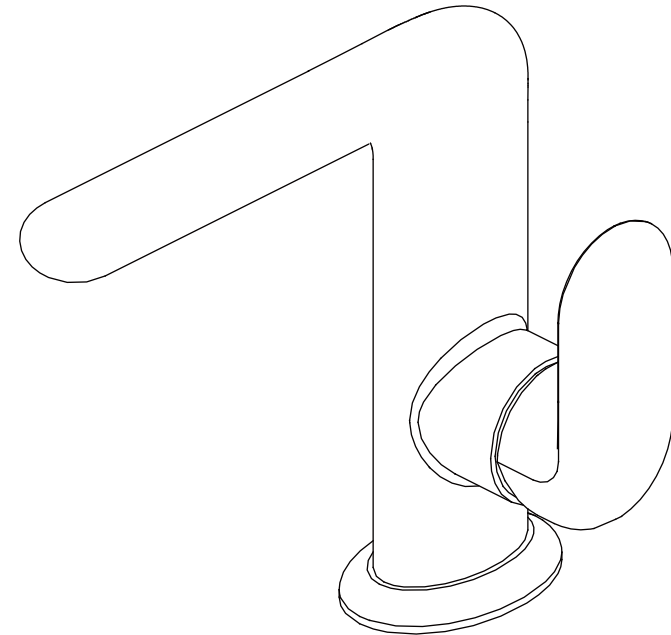
For a claim made under our warranty written certification of your installers credentials can be required. For further information or to find a qualified installer in your area please visit the Institute of Plumbers website - [www.iphe.org.uk](http://www.iphe.org.uk)

## THE QUALIFICATIONS

At present, to be a plumber you need to follow the National Vocational Qualification (NVQ) route (Scottish National Vocational Qualification - SNVQ - in Scotland). These qualifications are made up of theory and practical work in the classroom/purpose built training facility and work based experience with a working plumber. Colleges should help students find a work placement, although many students organise it themselves.

The S/NVQ qualification works in levels. All recently qualified plumbers should hold S/NVQ Level 2 as basic with Level 3 as the preferred level. Level 2 will give you the foundation you need for a career in plumbing and teach you domestic plumbing to a satisfactory level. Level 3 is more comprehensive and deals with domestic, commercial and industrial plumbing along with aspects such as gas - if you want to one day set up your own business, this is the level to reach. The Institute of Plumbing and Heating Engineering, and the industry as a whole recommends that all plumbers reach a minimum of Level 3.

Reaching Level 3 has other advantages. The Institute runs a Master Plumber Certificate, which only those attaining Level 3 or equivalent can reach as long as they have the relevant experience as well. Those with S/NVQ Level 3 can (once in membership with the Institute for five years as a Member MIPHE) gain Engineering Technician EngTech status with the Engineering Council (UK).



For any further information please contact  
Bathstore on: **08000 23 23 23**

Or visit our web-site at [www.bathstore.com](http://www.bathstore.com)

The manufacturer reserves the right to make technical  
modifications without prior notice.

## INSTALLATION INSTRUCTIONS

## INTRODUCTION

**Please read these instructions carefully and keep in a safe place for future reference.**

### **General Installation Requirements**

The installation must comply with regulations of the Local Water Authority as contained in their bylaws. All of the taps in this range are single flow (the hot and cold water mix in the body) and should therefore be supplied with hot and cold water at balanced pressures, both from the tank or both from the mains (via a combination boiler for example). If the taps are not supplied at balanced pressures then the mixer will not function correctly. It will also be necessary to fit non-return valves on both hot and cold feeds. It is very important that all pipe work is flushed thoroughly after installation to avoid damaging the ceramic discs.

### **Minimum/Maximum working pressure**

These taps are suitable for high and medium pressure installations. They are fitted with a quarter turn ceramic disc cartridge which provides a good flow rate with very smooth movement.

To ensure that the mixer works adequately under high and medium pressure, the cold water storage tank should be at least 2 metres above the highest installed position. The maximum water pressure is 6 bar (note: mains cold water is normally supplied at between 2 and 3 bar).

The required minimum water pressure is 0.5 bar.

For installations where the mains pressure exceeds 6 bar a pressure reducing valve should be fitted.

### **Approvals**

All products are manufactured using materials tested and approved under the Water Bylaws Scheme and comply with requirements of European Standard EN817 where applicable.

### **Preparation and bylaw requirements**

These taps are single flow so the hot and cold water mix in the body. Water bylaws require that where the hot water is supplied from a tank and cold from the mains, non return valves are fitted on both hot and cold pipes as close as possible to the tap. These are not supplied. Where combination boilers are fitted it is only necessary to shut off the incoming mains and turn the boiler off and non return valves are not required.

### **WARNING**

**Before installing the new mixer it is essential that you thoroughly flush through the supply pipes in order to remove any remaining swarf, solder or other impurities.**

**Failure to carry out this simple procedure could cause problems or damage to the workings of the mixer.**

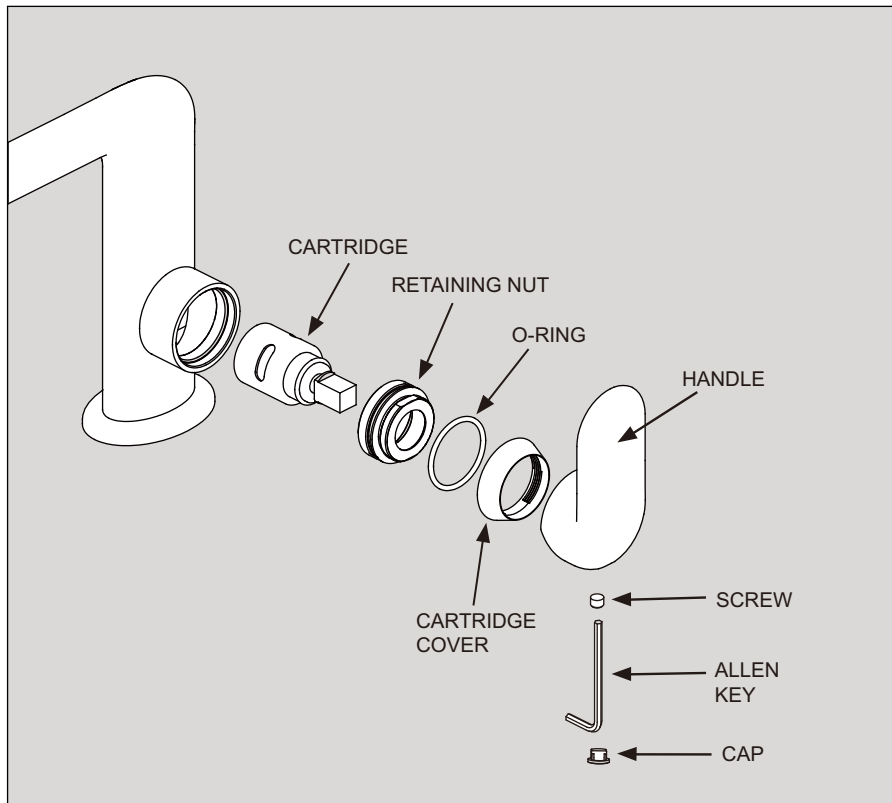
These hints have been prepared for your guidance, you must exercise due care at all times.

We do not accept responsibility for any problems that may occur through incorrect installation.

## CLEANING

The chrome plate we use on our taps is very durable, nevertheless care should be taken when cleaning them. They should be cleaned only with warm soapy water followed by rinsing with clean water and drying with a soft cloth. All finishes are vulnerable to acid attack and some strong substances such as household cleaners, disinfectants, denture cleaners, hair dyes, wine making and photographic chemicals can cause the surface to go black or peel.

## MAINTENANCE


**CLEANING THE CARTRIDGE**

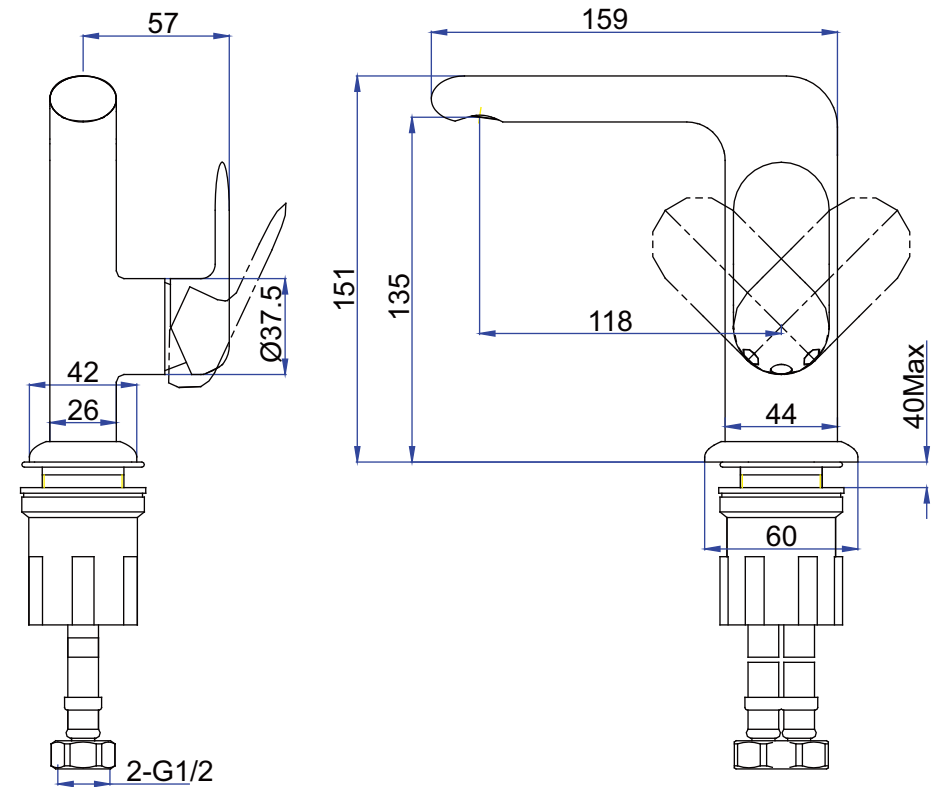
The concealed cartridge should give trouble free service, but in the event of any problems, servicing is straight forward.

**To remove the cartridge.**

**⚠ First shut off the water supply to the tap.**

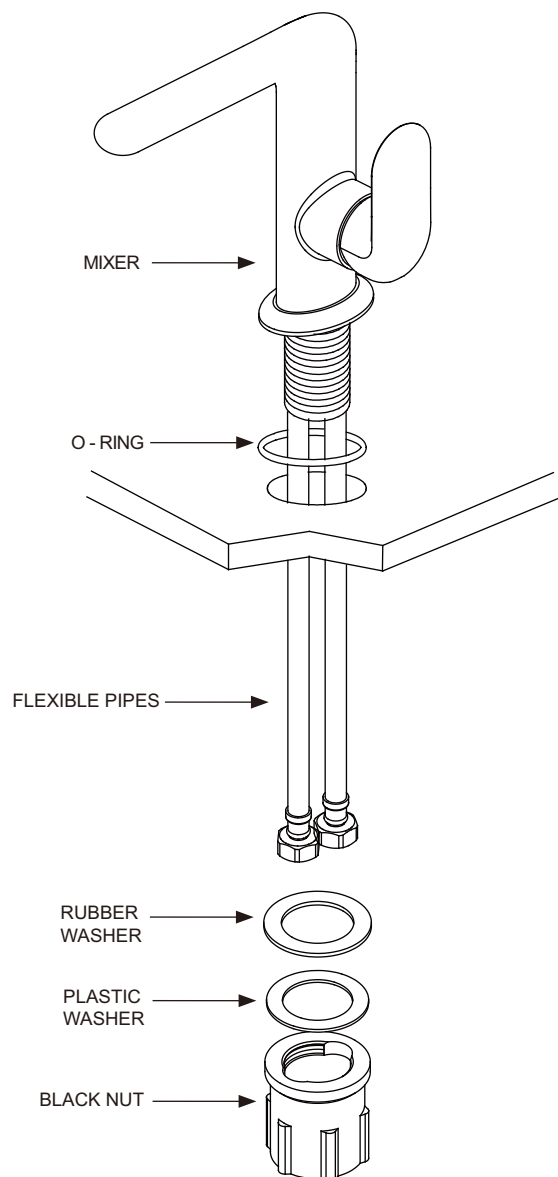
Pull out the cap from the handle and with an allen key loosen the grub screw in handle, but do not remove it. Take off the handle, unscrew the cartridge cover and carefully using a correct size spanner unscrew the retaining nut and remove the cartridge. Wash the cartridge with clean running water and make sure that any trapped debris have been removed. Dry and lightly grease the seals (only use silicone grease) and replace the cartridge, retaining nut, cartridge cover followed by the handle.

## DIMENSIONS



NOTE: ALL DIMENSIONS IN MILLIMETRES

## INSTALLATION



## INSTALLATION

First shut off your water heating system then, with your mains stop cock closed, open the lowest hot and cold taps in the house and allow to run until the cold storage tank and pipes are empty (the hot water storage cylinder always remains full).

Where combination boilers are fitted it is only necessary to turn off the boiler and shut off the incoming mains.

Fitting isolating valves to the inlet feeds is recommended for ease of maintenance.

## INSTALLATION

**!** Remember to turn off the mains water supply before connecting to any existing pipe work.

Fit the mixer base washer into the groove in the underside of the mixer body, and fully hand tighten. Place mixer in position to see if any alteration to the existing supply pipe work is necessary, make any necessary alterations to the pipe work.

Pass the tails and fixing stud through the hole on the basin from above, and place the mixer in position on the basin.

Screw the fixing nut onto the fixing stud underside basin, finger tighten to secure the mixer body.

Check that the mixer body is correctly positioned and tighten the fixing nut. The tap needs to be fixed firmly, but do not over tighten as damage may be caused to the basin.

## ATTENTION

Having first checked all new connections, turn on the mains stop cock, close all taps except the new mixer and as the system starts to refill check for leaks.

Once you have satisfied yourself that there are no leaks, switch on the water heating.