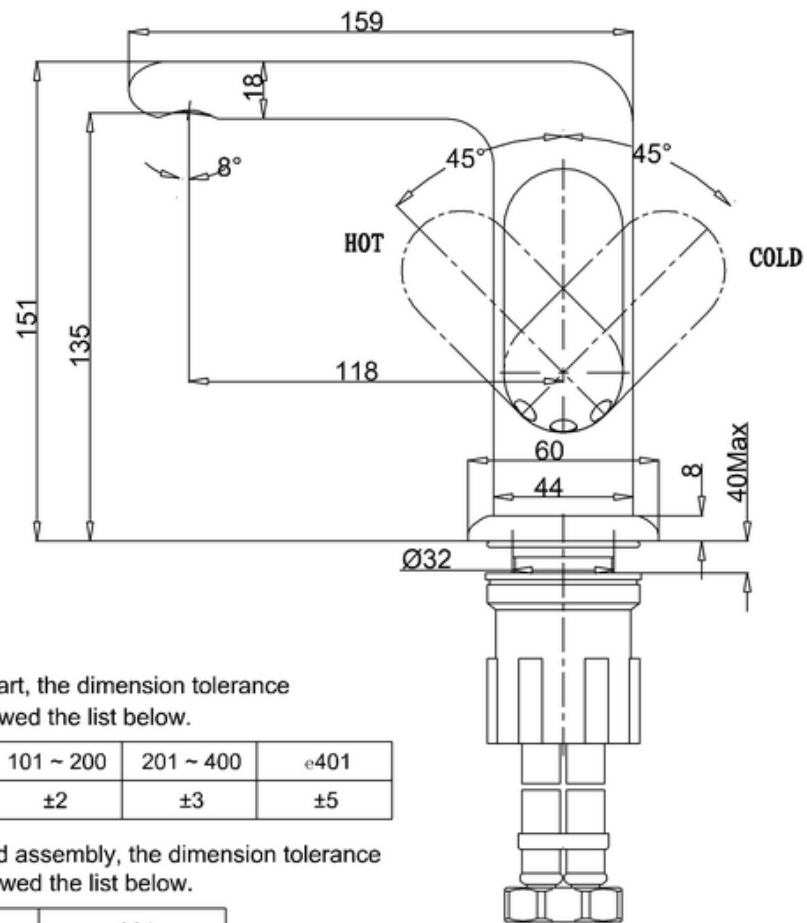
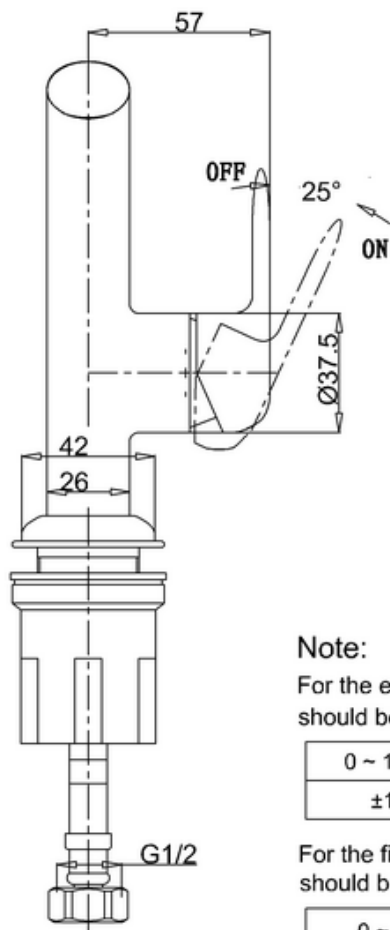




**bathstore**

# 41900090940 - FORM SIDE LEVER BASIN MIXER WITHOUT POP UP WASTE CHR



**Note:**

For the each part, the dimension tolerance should be followed the list below.

0 ~ 100	101 ~ 200	201 ~ 400	e401
±1	±2	±3	±5

For the finished assembly, the dimension tolerance should be followed the list below.

0 ~ 300	e301
±2	±5