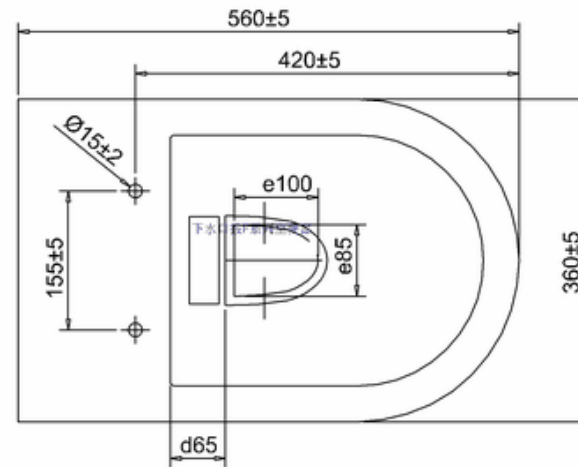
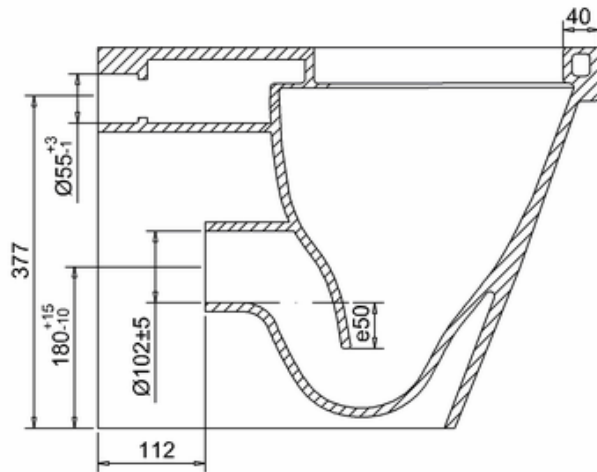




bathstore

20050030610 - EURO MONO 420 BACK TO WALL PAN WHT



Remark:

- 1: Flatness of installation surface: 0~2mm
- 2: Flatness of whole surface: 0~5mm
- 3: Depth of water seal: Min.50mm
- 4: Spigot length: Min.40mm
- 5: Clearance around spigot: Min.150mm
- 6: Depth of inlet hole: Min.25mm
- 5: Height difference between left and right: 0~4mm
- 6: Height difference between front and rear: 0~4mm
- 7: From seat hole to front rim:
For the top control as 2mm;
For the bottom as 6mm

